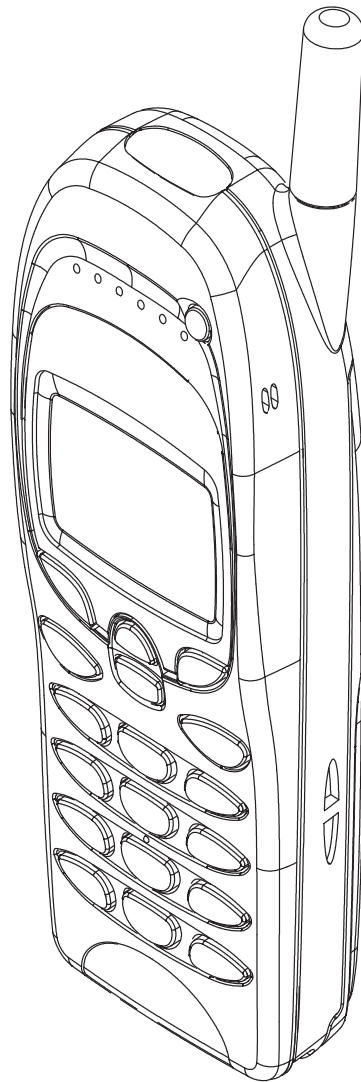


# PAMS Technical Documentation

## Appendix 2

# TRANSCEIVER NSK-3NY



## CONTENTS

	<b>Page No</b>
Foreword .....	2 – 3
Transceiver NSK-3NY .....	2 – 4
Modules .....	2 – 4
Exploded View of Transceiver NSK-3NY .....	2 – 5
Assembly Parts of NSK-3NY .....	2 – 6

# Appendix 1

## Foreword

This section of the service manual (Appendix) contains specific details for the NSK-3NY handportable telephone.

The appendix comprises Transceiver NSK-3NY, containing an exploded view of the NSK-3NY variant plus component parts lists covering the system module and the display module.

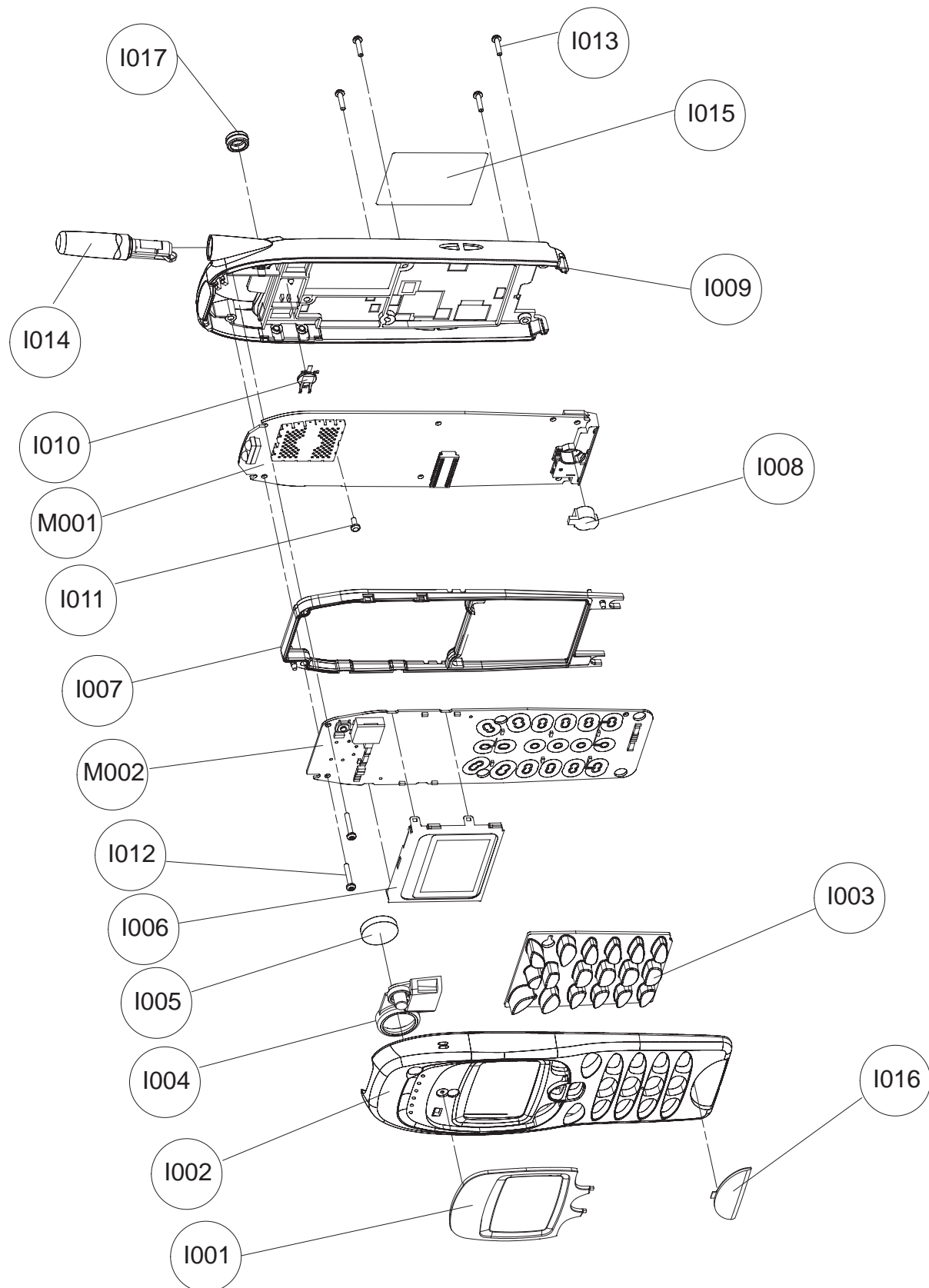
**NOTE:        The Service Manual is intended for use by qualified service personnel only.**

## Transceiver NSK-3NY

### Modules

Transceiver NSK-3NY Euro-A	0501600
Transceiver NSK-3NY Euro-B	0501601
Transceiver NSK-3NY Euro-C	0501599
Transceiver NSK-3NY Bouygues	0501593
Transceiver NSK-3NY One2One	0501603
Transceiver NSK-3NY E-Plus	0501596
Transceiver NSK-3NY Orange	0501597
Transceiver NSK-3NY Cosmote	0501656
• system module UR9E	0201136
• display module UE4	0200860
• A-cover Black	9457950
• mechanics MNSK-3	0261375
Transceiver NSK-3NY Euro-A	0501711
Transceiver NSK-3NY Euro-B	0501713
Transceiver NSK-3NY Euro-C	0501715
Transceiver NSK-3NY Bouygues	0501703
Transceiver NSK-3NY One2One	0502137
Transceiver NSK-3NY E-Plus	0501701
Transceiver NSK-3NY Orange	0501699
• system module UR9E	0201136
• display module UE4	0200860
• A-cover Blue	9456108
• mechanics MNSK-3	0261375
Transceiver NSK-3NY Euro-A	0501712
Transceiver NSK-3NY Euro-B	0501714
Transceiver NSK-3NY Euro-C	0501716
Transceiver NSK-3NY Bouygues	0501705
Transceiver NSK-3NY One2One	0502136
Transceiver NSK-3NY E-Plus	0501702
Transceiver NSK-3NY Orange	0501700
• system module UR9E	0201136
• display module UE4	0200860
• A-cover Green	9456178
• mechanics MNSK-3	0261375

### Exploded View of Transceiver NSK-3NY



**Assembly Parts of NSK-3NY**

ITEM	Q'TY	CODE	DESCRIPTION	VALUE, TYPE
I001		9457949	Window	DMC01102
I002			A-cover	See Module list
I003		9794003	Keymat	DMC01029
I004		9790274	Power keymat	DMC01073
I005		5140067	Speaker + Spring	
I006		4850125	LCD Module Seiko	
M002		0201619	UI Module UE4 Seiko	
I007		9460208	Frame	DMD02411
I008		5140101	Microphone + Boot	DMC00955
M001		0201136	System/RF Module UR9E	
I009		9457860	B-Cover	DMC00822
I010		4700089	RTC Battery	
I011	1	6190023	Screw M1.6x4 T6	
I012	2	6190015	Screw M1.6x10 T6	
I013	4	6190013	Screw M1.6x7 T6	
I014		0660145	Antenna 1710 – 1880 MHz	
I015		9380671	Type Label – blank	
I016			Logo Label	
I017		9451139	Dust Cap	DMD02859